

NOTES:

1. NEMA 3R RATED - SHED ROOF AND SKIRTED DOORS, COVERS FULLY GASKETED
2. BUS BARS SILVER PLATED COPPER - 98% CONDUCTIVITY.
3. BOX SHALL HAVE NAME PLATE WITH MANUFACTURER'S NAME.
4. FRONT DOORS SHALL BE SEALABLE & LOCKABLE.
5. ALL NUTS, BOLTS, FLAT WASHERS AND BELLEVILLE WASHERS SHALL BE NON MAGNETIC STAINLESS STEEL PER PSEG SPEC.
6. PHASES HAVE 1/4"-20 TAPPED HOLE BELOW AND ABOVE CT SHELF FOR NEUTRAL LUG.
7. LINE (TOP SIDE) & LOAD (BOTTOM SIDE) CLEARLY MARKED.
8. EXIT AND ENTRY PERMITTED THROUGH TOP, BOTTOM, SIDE AND REAR OF CABINET WITH PROPER REFERENCE OF NEC WIRE BENDING SPACE REQUIREMENTS.
9. NEUTRAL BONDING KIT AVAILABLE UPON REQUEST.
10. PADMOUNT STANDARD, EXTERNAL WALL MOUNT TABS AVAILABLE UPON REQUEST.

10.75 MIN
BETWEEN PHASES

6.00
MIN

6.00
MIN

6.00
MIN

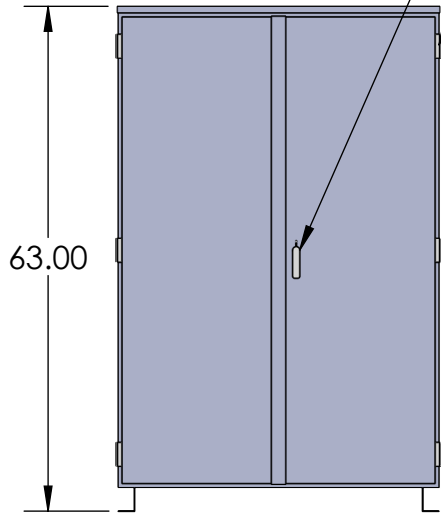
PART #	AMPS	BUS WIDTH (IN)	BUS LEAVES	SETS - LINE & LOAD (500MCM)
NAV-NJ-CTR-10	1000	4	1	3
NAV-NJ-CTR-12	1200	5	1	3
NAV-NJ-CTR-16	1600	4	2	4
NAV-NJ-CTR-20	2000	4	2	5



TOP VIEW

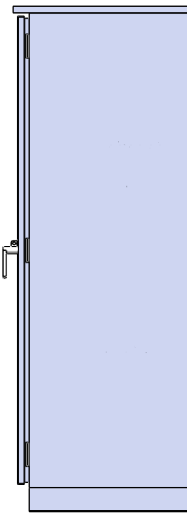
PADLOCKABLE FRENCH DOOR WITH 3 PT CATCH

NON LIFTING HINGES FACTORY INSTALLED

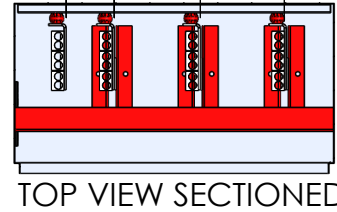


63.00

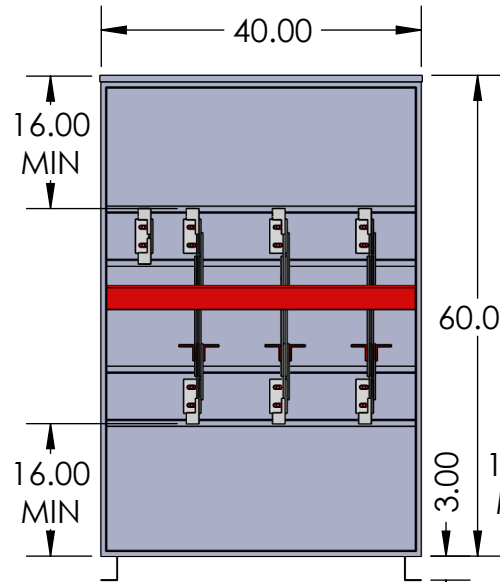
FRONT VIEW CLOSED



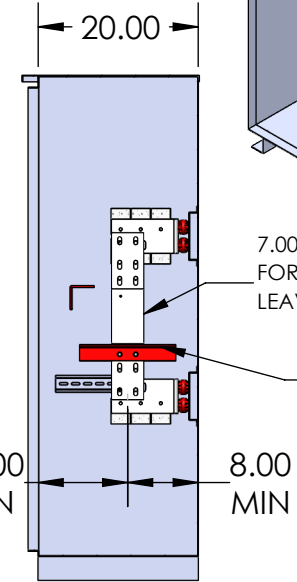
SIDE VIEW



TOP VIEW SECTIONED



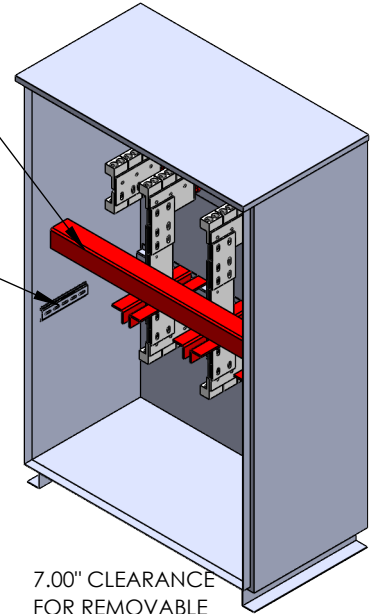
FRONT VIEW OPENED



SIDE SECTIONED VIEW

GLASTIC CT WIRING SUPPORT

PT FUSE HOLDER



7.00" CLEARANCE FOR REMOVABLE LEAVES

GLASTIC CT MOUNT

NAME	DATE
N. BOSETTI	9/10/2025



155 MARCUS BLVD
HAUPPAUGE, NEW YORK 11788
PH: (718) 257-2111 FAX: (718) 257-2626

MAT'L:	12 GAUGE GALV STEEL
FINISH:	GRAY POWDER COAT ANSI 61

WEIGHT:
ALL DIMENSIONS ARE NOMINAL UNLESS EXPLICITLY STATED OTHERWISE

DRAWING TITLE:	PSEG NJ 1000A-2000A CT CABINET N3R OVERALL SPEC
----------------	---

PART #:
NAV-NJ-CTR-XX

DO NOT SCALE DRAWING

DESCRIPTION:
NEMA 3R 377 CT CABINET
1000A-2000A 600V MAX
PSEG NJ APPROVED
WINDOW CT CABINET

SCALE:	1:24	SIZE	A	SHEET	1 OF 1	REV.	2
--------	------	------	---	-------	--------	------	---

B

B

A

A